

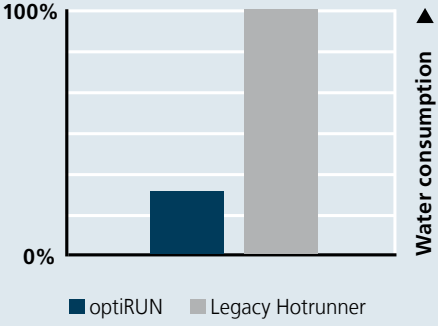
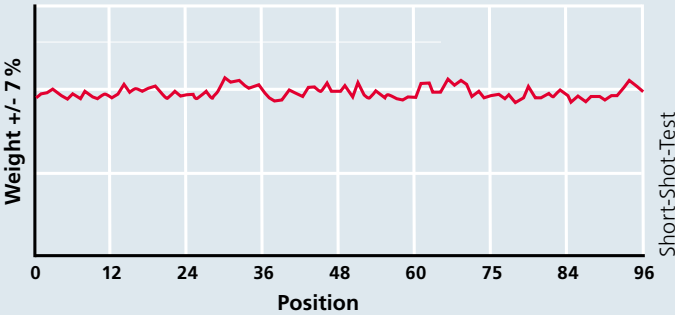
MHT MOLD & HOTRUNNER
TECHNOLOGY AG



Hotrunner Systems

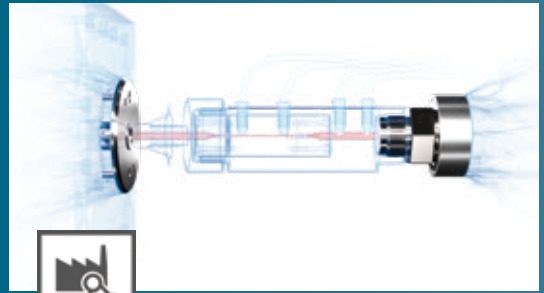
MHToptiRUN Series

MHT Mold & Hotrunner Technology AG is a renowned manufacturer of injection molds with up to 192 cavities for PET preforms. Since our foundation in 1996 we have been supplying the global market with high performance PET molds and hotrunner products. The basis for the extraordinary start-up performance and the quick cycle times of our PET molds are the manifold systems which are developed and processed on the premises.

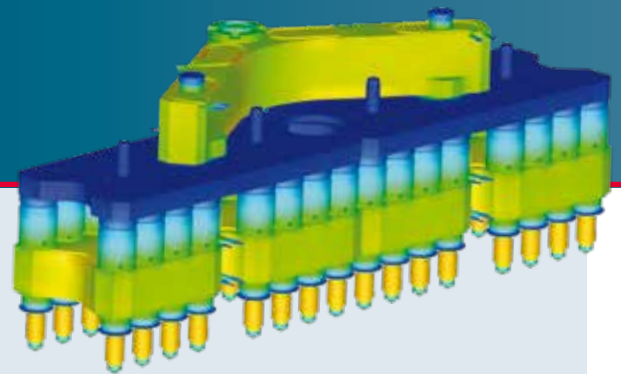
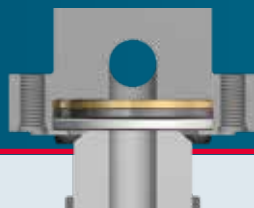




Low operational costs



Industry 4.0



Less PET dust and lower resource consumption, and yet improved balancing and longer maintenance intervals: Our optiRUN series of hot runners is capable of meeting the highest demands. It is particularly suited for the processing of rPET or flakes and is the result of a multi-year development project.

TECHNICAL FEATURES

- Two-plate design
- For molds from 48 to 144 cavities
- Modular hotrunner packages
- Small-volume individually regulated heating zones
- Perfectly balanced heat distribution (by software simulation and field test evaluation)
- Cooled adapter plates
- Vulcan II components by default

ADVANTAGES

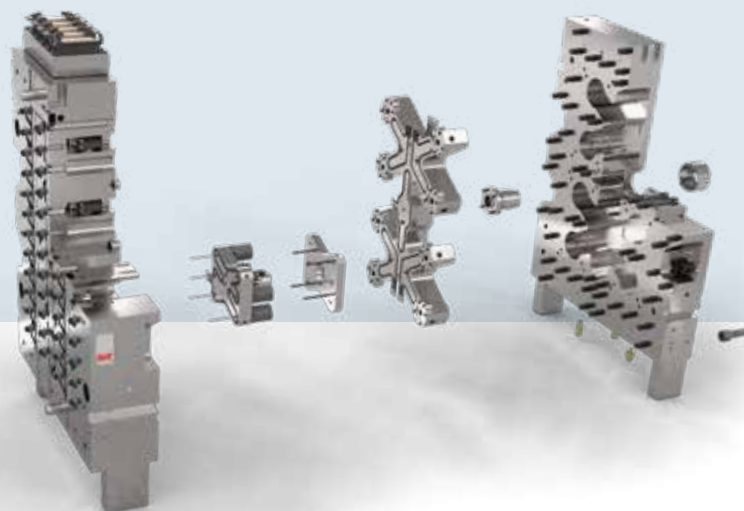
- Broad process window
- Less PET dust
- Longer maintenance intervals
- Suitable for rPET and flakes
- Best in class short-shot-performance
- Low AA-level
- Perfect sealing through anti-leakage technology via spring loaded transition bushings
- Reduced water consumption
- 100% compatible with existing cold sides
- Integrated digital cycle counter

Available Platforms

Sacmi

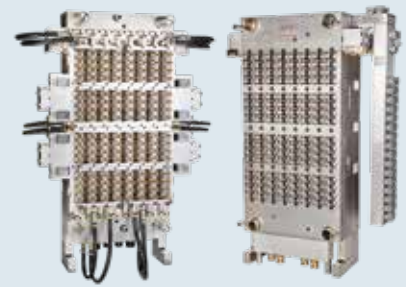
Husky

Niigon



Legacy Series

Our Legacy series has been proven for 20 years. It has its advantages where a small-volume hotrunner is needed or when the injection molding machine does not offer enough heating zones for the optiRUN. It is available for all well-known PET systems and for more than 120 mold designs.



Available Platforms

Sacmi

Husky

Niigon

KraussMaffei

Netstal

Sumitomo

Milacron

and others

TECHNICAL FEATURES

- Complete hot runner systems
- Systems up to 192 cavities
- Available with Vulcan or Legacy components

ADVANTAGES

- Compact construction
- Easy to maintain
- Short residence time
- Robust design for a long life
- Suitable for all systems with a low number of heating zones





Special Applications

MHT is well known throughout the PET industry for its innovative strength and the ability to develop sophisticated technical solutions. High output, low operation costs, short cycle times, maximum quality: We know what our customers need to remain competitive in the market.

2K APPLICATION

Overmolding and more



- For barrier technologies (e.g. special preforms for UHD milk)
- Two components in one manifold (e.g. for shuttle molds)



SPECIAL MOLDS

Everything in PET



- Article development
- Mold design
- Hotrunner design for special applications (e.g. bottle-in-bottle)
- Nozzles for limited installation space
- Micro-injection points available

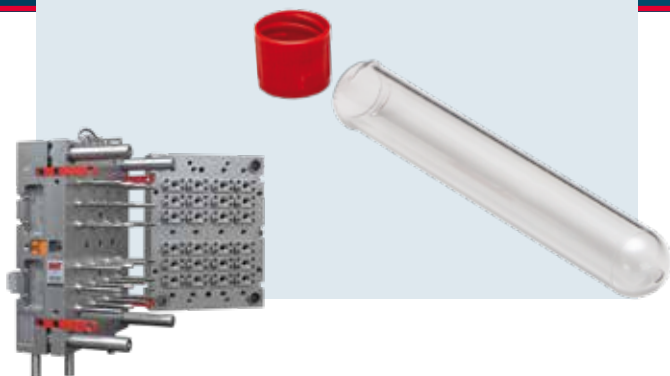


MEDICAL

Bloodtubes



- Special PET types or additives
- Wall thickness below 1 mm
- Difficult ratio of length to wall thickness (l/t, up to 120)
- Perfect injection point quality
- Meets legal requirements for medical applications



OTHER RESIN TYPES

PP, PE, PLA etc.



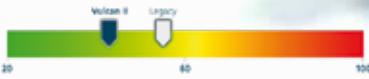
- For preforms made of PP, PE, PLA
- For barrier technology
- For pharmaceutical applications



Toner cartridge

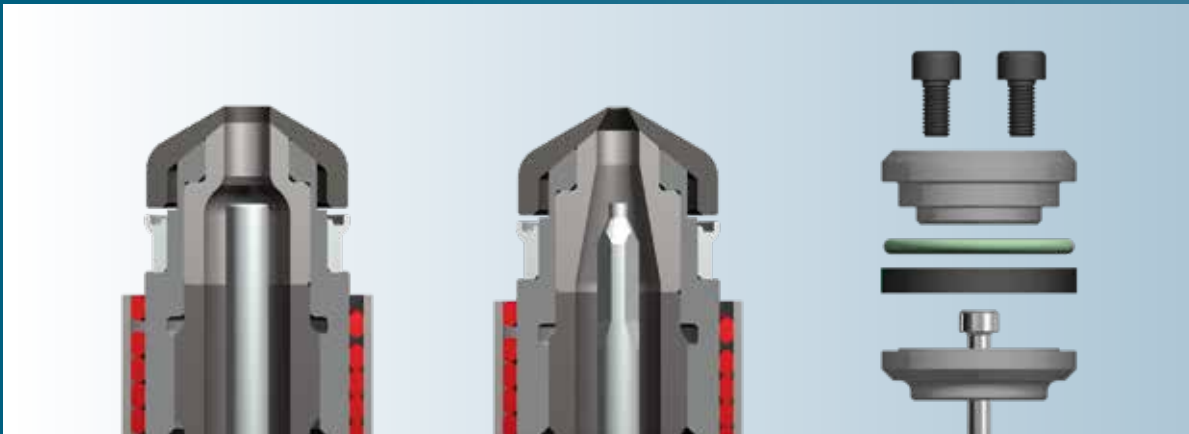


Average power consumption (kWh)
Savings >13 %



Vulcan II nozzle technology

Our most recent generation of nozzle stacks, Vulcan II, is distinguished by extended lifetime, easy handling, reduced energy consumption, optimized parts for reduced maintenance and longer maintenance intervals. Additional advantages are the new one-piece cylinder and the two-piece piston. This assures better assembling of all parts, no air leakage and no dust inside the cylinder.



Different nozzle tips possible

Two-piece piston

ADVANTAGES

- Quick and easy accessibility to all components
- Different materials for nozzle tips available
- Reduced heat loss to the environment
- Pre-Guidance of valve stem
- Convenient exchange of sealing rings
- No overstretching of sealing ring during assembly
- No leakage issues

LEGACY NOZZLE STACK

- valve bushing
- nozzle

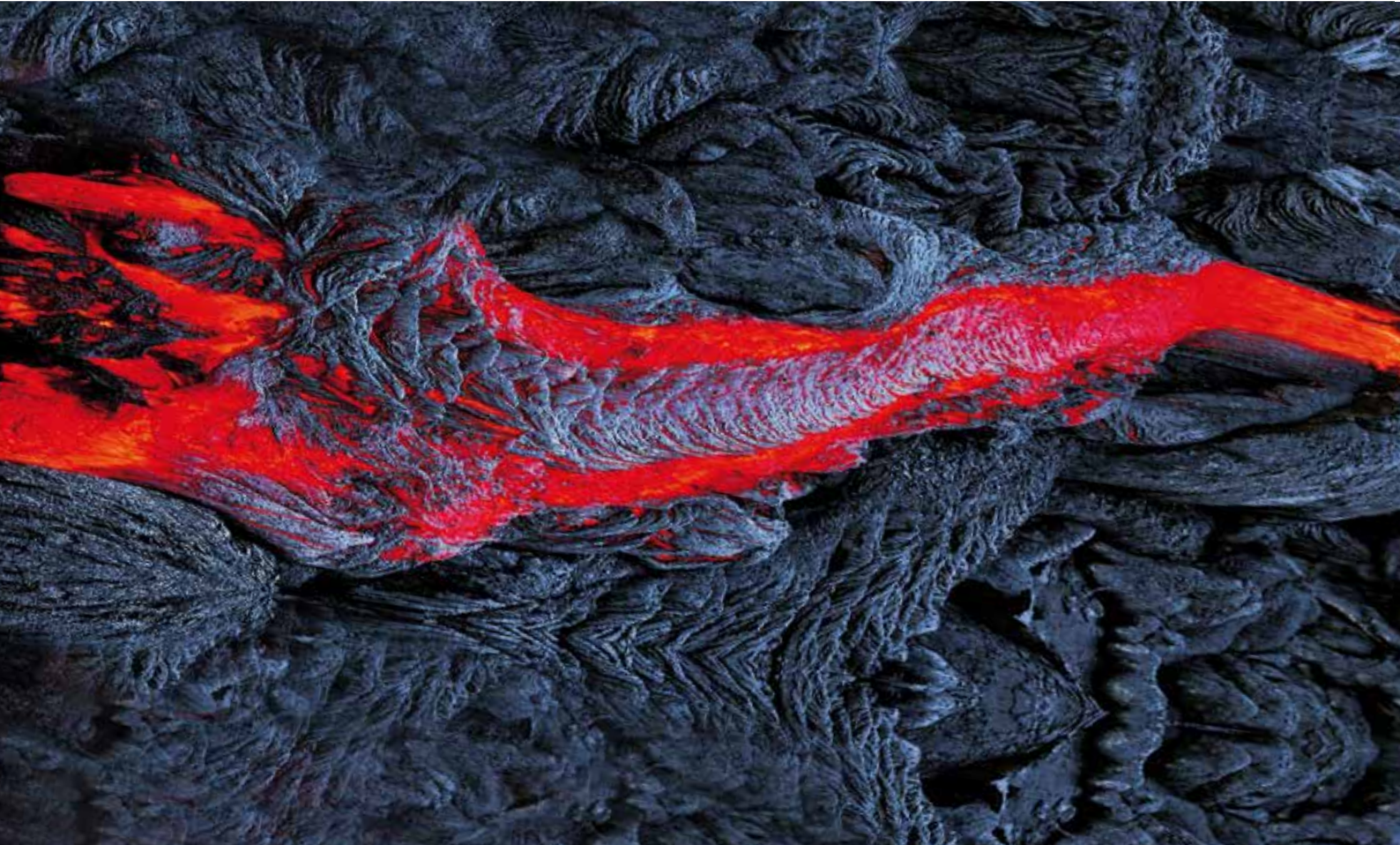
VULCAN II

- improved valve bushing
- new piston





MHT MOLD & HOTRUNNER
TECHNOLOGY AG



MHT Mold & Hotrunner Technology AG
Dr. Ruben-Rausing-Str. 7
D-65239 Hochheim/Main
Tel. +49 (0) 6146-906-0
www.mht-ag.com